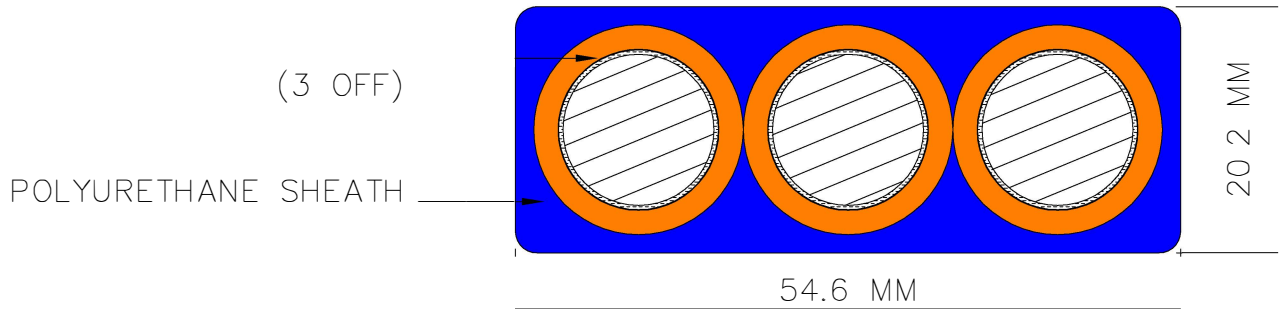


Flat Cables - Fibre Optic Data

HPA Subsea supply every cable configuration. Contact us to today to discuss your cable in more detail.
(Singapore) +65 63343566 / sales@hydroproductsasia.com

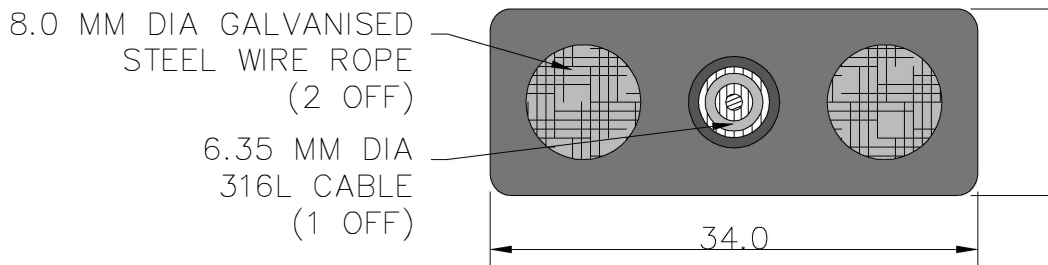


70.0 SQ MM CONDUCTOR Drawing No. CS 938



DESCRIPTION 3 CORES (70.0 SQ MM)

Drawing No. CLS 845



1.0 DESCRIPTION 2 GALVANISED STEEL WIRE ROPES (8.0 MM DIA) + 1 316L CABLE (6.35 MM DIA)



HPA Subsea supply every cable configuration, contact us today to discuss your cable in detail

The background image is a composite of three elements: a submarine on the left, a ship in the center, and a large, circular industrial flange with internal components on the right. The entire scene is overlaid on a dark, textured background that resembles a nautical chart or map.

Subsea connectivity products and solutions

A broad range of standard and bespoke engineered products for subsea projects

[read more](#)

Contact

HPA Subsea

12 Woodlands Square

#09-72 Woods Square, Tower 1

Singapore 737715

Tel. +65 63343566

sales@hydroproductsasia.com

<https://www.hydroproductsasia.com>