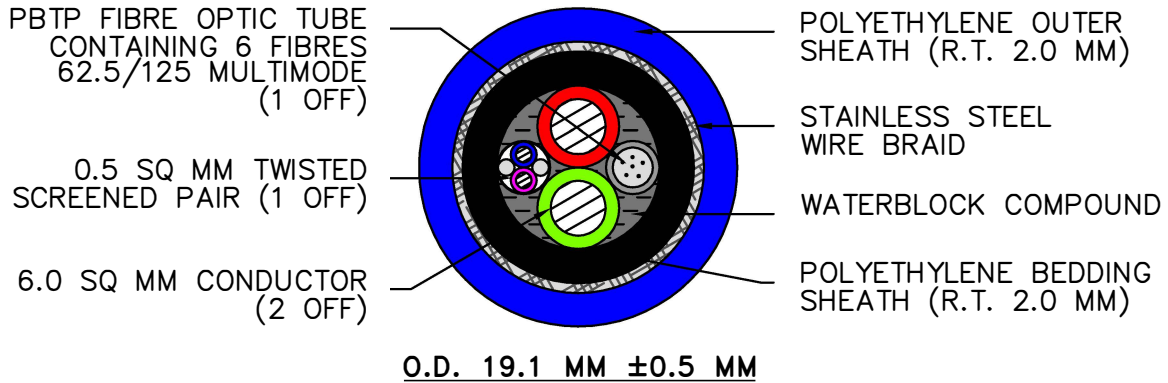


# Fibre Optic Cables



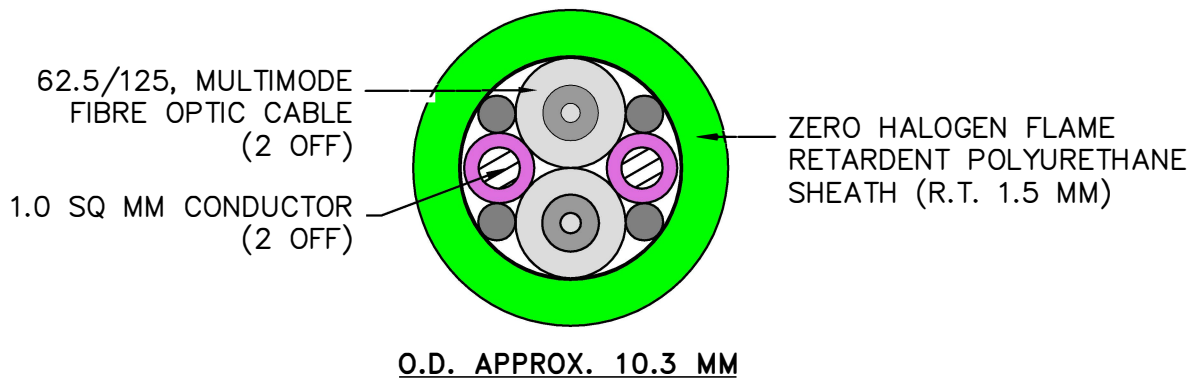
HPA Subsea supply every cable configuration. Contact us to today to discuss your cable in more detail.(Singapore) +65 63343566 / sales@hydroproductsasia.com

**Drawing No. CS 1882**



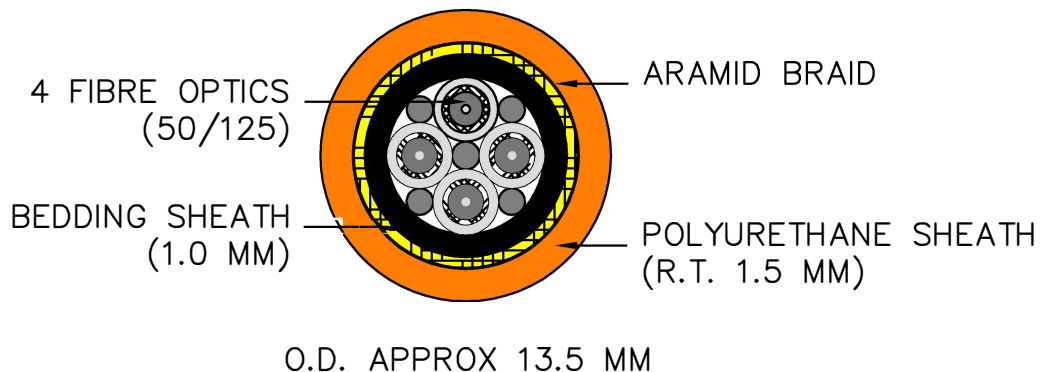
**DESCRIPTION :** 2 CORES (6.0 SQ MM) + ONE T.S.P. (0.5 SQ MM) + ONE PBTP FIBRE OPTC TUBE (CONTAINING 6 FIBRES, 62.5/125 MULTIMODE) + WATERBLOCK COMPOUND + STAINLESS STEEL WIRE BRAID.

**Drawing No. DS 5718**



**DESCRIPTION** 2 FIBRE OPTIC CABLES (62.5/125, MULTIMODE) + 2 CORES (1.0 SQ MM)

**Drawing No. CS 746**



1.0 DESCRIPTION : 4 FIBRE OPTICS (50/125) + KEVLAR BRAID



HPA Subsea supply every cable configuration, contact us today to discuss your cable in detail

The background image is a composite of three elements: a submarine on the left, a ship in the center, and a large, circular industrial flange with internal components on the right. The entire scene is overlaid on a dark, textured background that resembles a nautical chart or map.

## Subsea connectivity products and solutions

A broad range of standard and bespoke engineered products for subsea projects

[read more](#)

## Contact

### HPA Subsea

12 Woodlands Square

#09-72 Woods Square, Tower 1

Singapore 737715

Tel. +65 63343566

[sales@hydroproductsasia.com](mailto:sales@hydroproductsasia.com)

<https://www.hydroproductsasia.com>