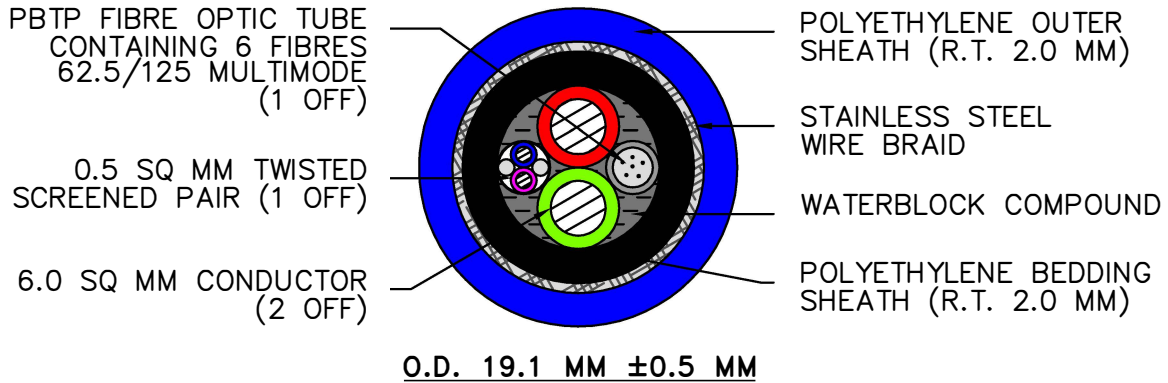


Fibre Optic Cables Aramid Wire Braid



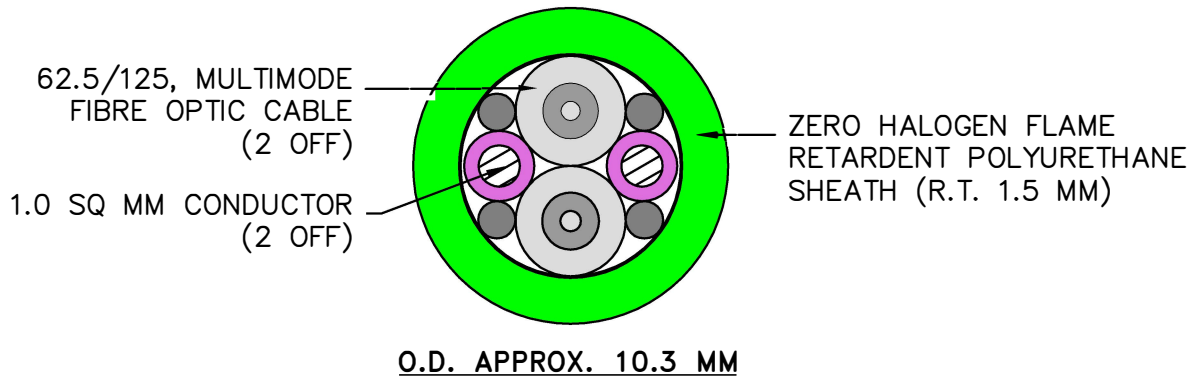
HPA Subsea supply every cable configuration.
Contact us to today to discuss your cable in more detail.
(Singapore) +65 63343566 / sales@hydroproductsasia.com

Drawing No. CS 1882



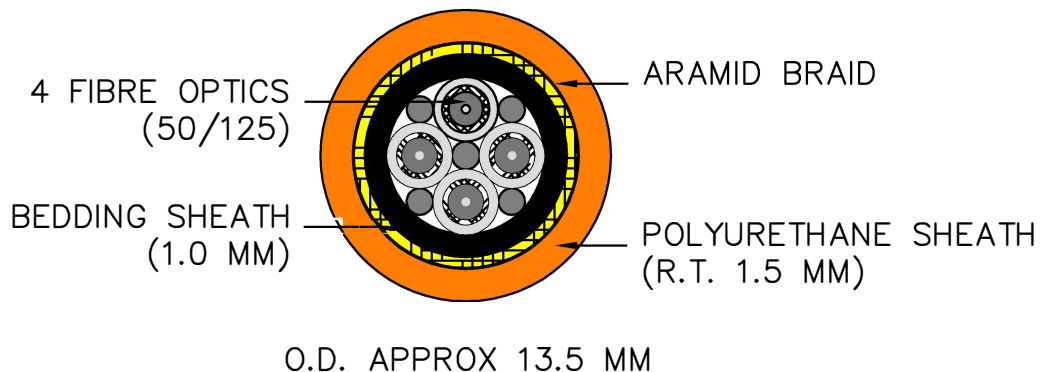
DESCRIPTION : 2 CORES (6.0 SQ MM) + ONE T.S.P. (0.5 SQ MM) + ONE PBTP FIBRE OPTC TUBE (CONTAINING 6 FIBRES, 62.5/125 MULTIMODE) + WATERBLOCK COMPOUND + STAINLESS STEEL WIRE BRAID.

Drawing No. DS 5718



DESCRIPTION 2 FIBRE OPTIC CABLES (62.5/125, MULTIMODE) + 2 CORES (1.0 SQ MM)

Drawing No. CS 746



1.0 DESCRIPTION : 4 FIBRE OPTICS (50/125) + KEVLAR BRAID



HPA Subsea supply every cable configuration, contact us today to discuss your cable in detail

Subsea connectivity products and solutions

A broad range of standard and bespoke engineered products for subsea projects

[read more](#)

Contact

HPA Subsea

12 Woodlands Square

#09-72 Woods Square, Tower 1

Singapore 737715

Tel. +65 63343566

sales@hydroproductsasia.com

<https://www.hydroproductsasia.com>